

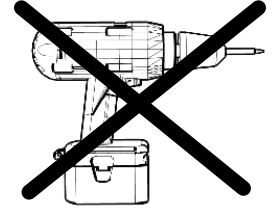
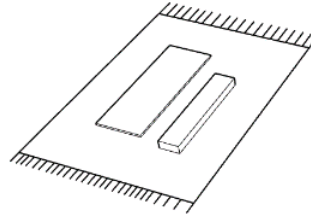
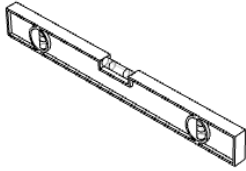
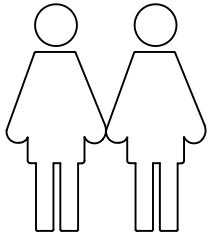
ASSEMBLY INSTRUCTION

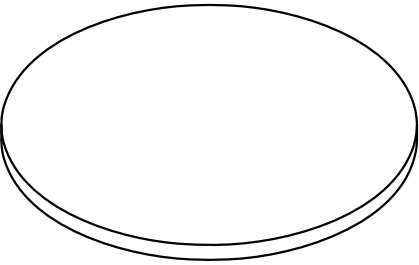
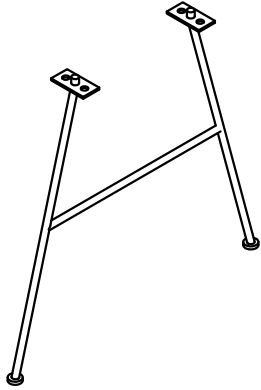
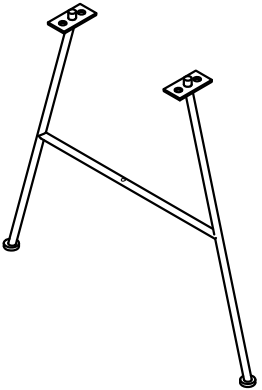
GRAFTON COFFEE TABLE Ø70

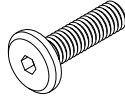
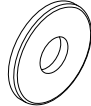

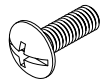



ROWICO

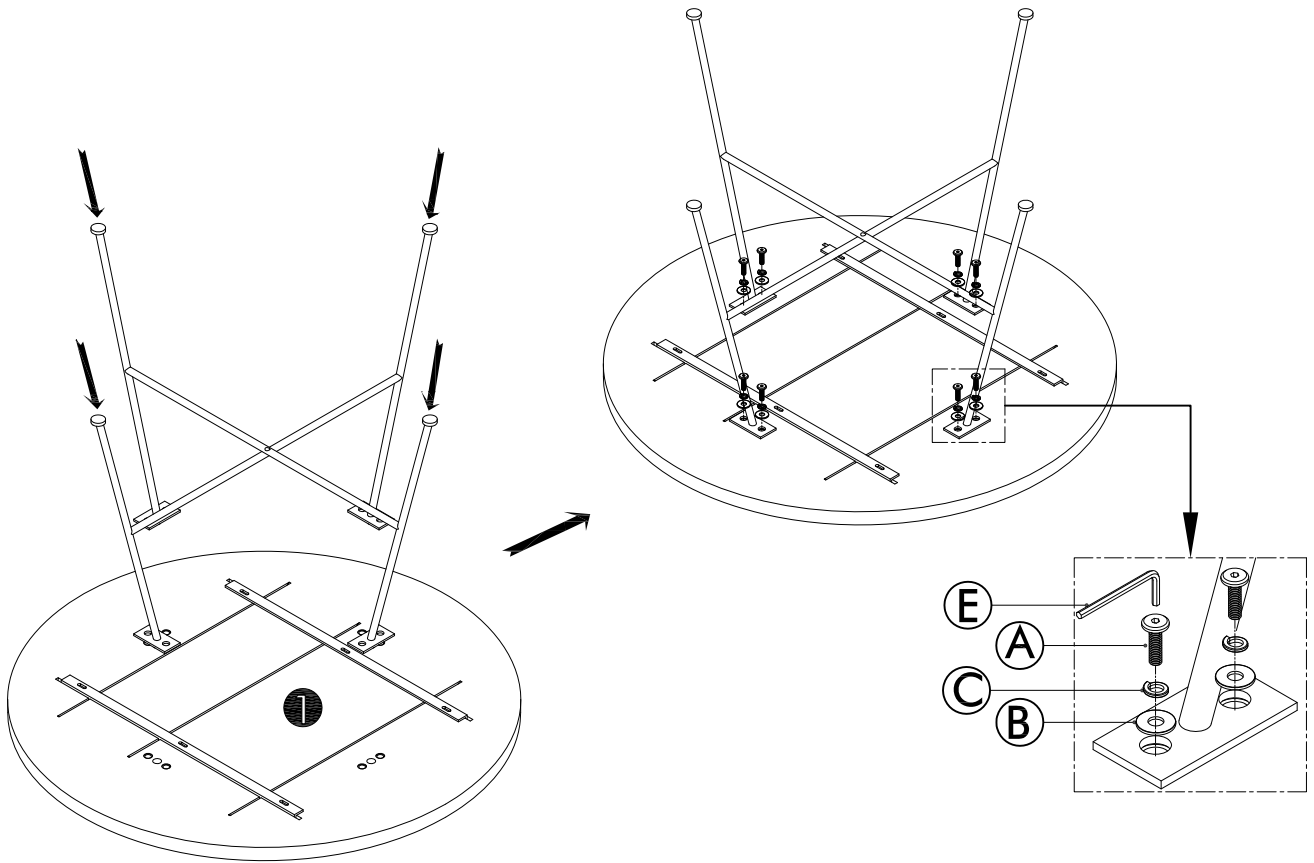
HOME



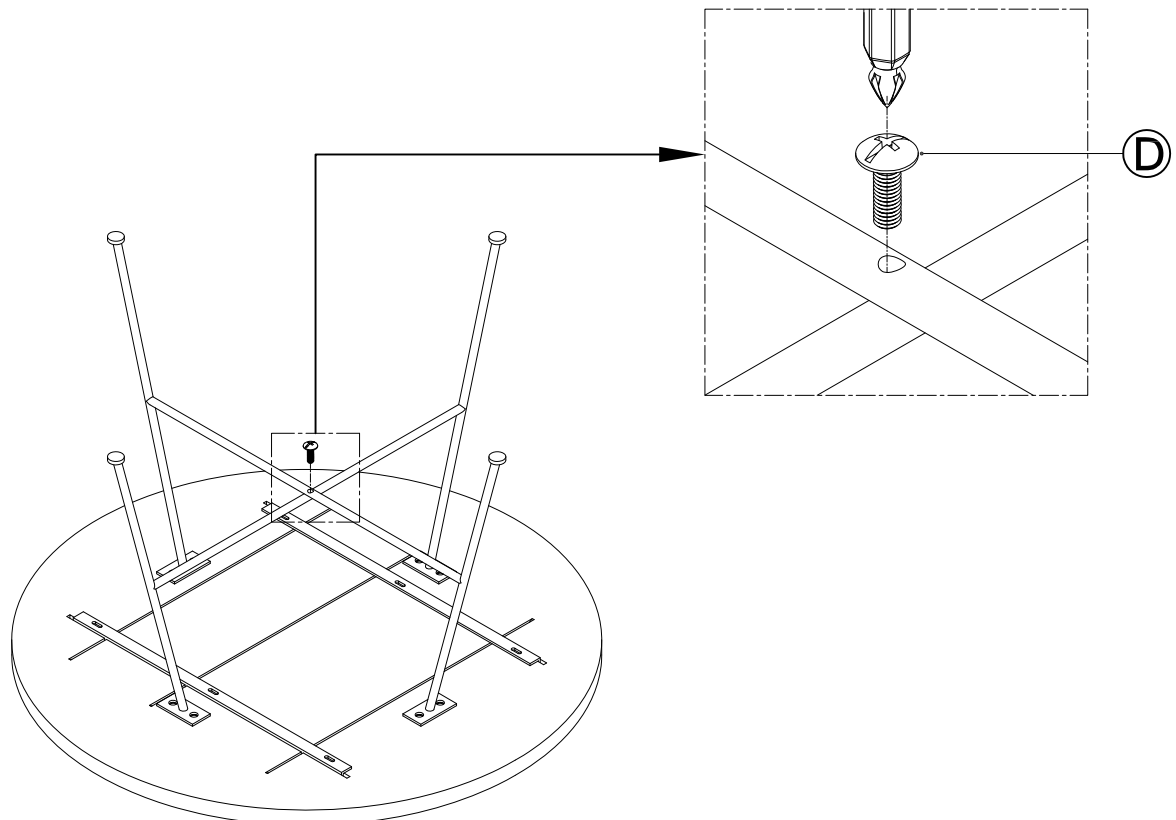
| List of part | | |
|--------------|---|------------|
| | Description | N.o of pcs |
| 1 |  | 1 |
| 2 |  | 1 |
| 3 |  | 1 |

| List of hardware | | | |
|------------------|--|------------------------|---|
| A |  | Bolt M6x20mm | 8 |
| B |  | Washer Ø6/Ø16 | 8 |
| C |  | Spring washer Ø6 mm | 8 |
| D |  | Bolt M4x15mm | 1 |
| E |  | Allen Key Ø4 | 1 |

Step 1



Step 2



Step 3



Max weight :

